



RoHS



Edition: 4 from 13.10.2021  
Supersedes the edition: 3 from 20.09.2021

**EN\***

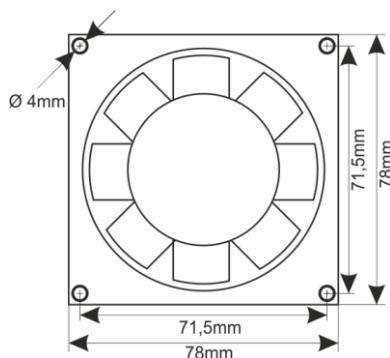
## 1. Intended use:

Fan with temperature sensor is designed to be mounted in enclosures dedicated to RACK cabinets and enclosures for recorder.

After exceeding temperature of 45°C, it forces air flow inside enclosure.

## 2. Specifications.

Power Supply	~ 230 V; 50/60 Hz
Current consumption	0,08 A
Power consumption	16 W
Rotational speed (RPM)	2300 rev/min
Air flow	21 CMF 0,59 m <sup>3</sup> /min
Short-circuit protection	T 200mA
Fan start temperature	45 °C
Design	- fan: aluminum alloy, ball bearing, fan guard
Use	inside
Notes	- mount the fan directly to the RACK enclosure with 4 screws - cable fixing – self-adhesive cable clips – 5 pcs. - block fixing – sheet metal screws – 2 pcs.
Fan's dimensions	78 x 78 x 25 [mm] (WxHxD)
Mounting dimensions	71,5 x 71,5 Ø 4 [mm]
Net/gross weight	0,25 / 0,32 [kg]
Declarations, warranty	CE, RoHS, 2 years from production date



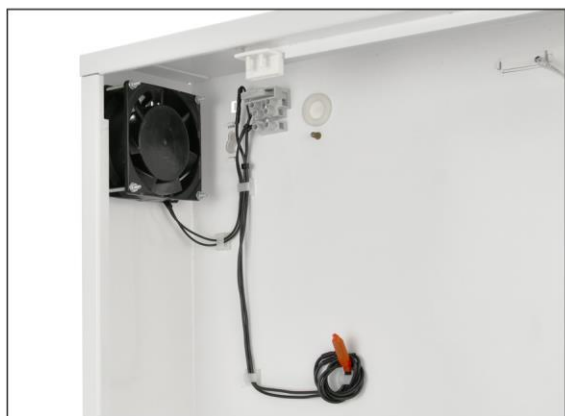
Take notice of a correct direction of airflow of the fan – the AIRFLOW arrow pointed outwards.  
Mount the electrical block to the mounting plate with sheet metal screws. The temperature sensor shall be located close to the module generating heat. Fix the wires to the mounting plate with self-adhesive cable clips.



ARAD2



AWO483



AWO530W



AWO531W



**WEEE MARK**

According to the EU WEE Directive – It is required not to dispose of electric or electronic waste as unsorted municipal waste and to collect such WEEE separately

**Pulsar sp. j.**

Siedlec 150, 32-744 Łapczyca, Poland  
Tel. (+48) 14-610-19-40, Fax. (+48) 14-610-19-50  
e-mail: [biuro@pulsar.pl](mailto:biuro@pulsar.pl), [sales@pulsar.pl](mailto:sales@pulsar.pl)  
http:// [www.pulsar.pl](http://www.pulsar.pl), [www.zasilacze.pl](http://www.zasilacze.pl)