



DINB 27620

v.1.0

DINB 27,6V/2A

DIN rail buffer power supply.

EN**

Edition: 5 from 06.08.2018

Supersedes the edition: 4 from 03.06.2015



PSU features:

- DC 27,6V/2A uninterrupted supply + 0,2A battery charging current
- universal supply voltage range AC 90÷264V
- high efficiency 88%
- battery charging and maintenance control
- deep discharge battery protection (UVP)
- battery output protection against short circuit and reverse polarity connection
- DIN rail mounting
- LED optical indication
- protection type:
 - short-circuit protection SCP
 - surge protection
 - overload protection OLP
- warranty – 2 years from the production date

TABLE OF CONTENTS:

1. Technical description.

1.1 General description

1.2 Block diagram

1.3 Description of components and power supply connectors

1.4 Technical parameters

2. Installation.

2.1 Requirements

2.2 Installation procedure

3. Power supply operation indication.

3.1 Optical indication

4. Service and operation.

4.1 Overload or short circuit of the power supply output (SCP activation)

4.2 Deep discharge battery protection UVP

4.3 Maintenance

1. Technical description.

1.1 General description.

The buffer power supply is designed for uninterrupted supply of devices requiring stabilized voltage of **24V DC (+/-15%)**. The PSU supplies voltage of **27,6V DC** with current efficiency of **I = 2A + 0,2A battery charging**. In the case of mains power failure, the unit will instantly switch to battery power. The PSU is fitted with short circuit protection and overload protection. The power supply unit is in plastic enclosure designed for DIN TH35 rail mounting (35mm width).

During normal operation, the total current drawn by the device cannot exceed I=2A. The maximum battery charging current is 0,2A. The total current of the receivers + battery is max. 2,2A.

1.2 Block diagram.

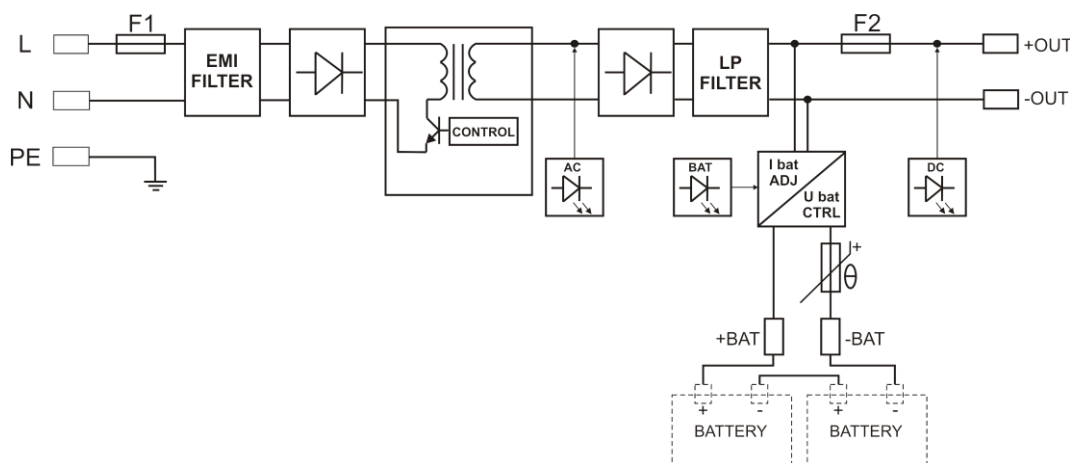



Fig.1. Block diagram of the PSU.

1.3 Description of components and power supply connectors (Table 1, Fig.2).

Table 1. The components of power supply.

| Component No. | Description |
|---------------|--|
| [1] | F1 fuse in the power supply circuit (230V/AC) |
| [2] | L-N power connector 230V AC,  protective connector PE |
| [3] | +OUT- DC power output +BAT- battery connector |
| [4] | F2 fuse in the output circuit +OUT, F 2A / 250V |
| [5] | LED optical indication: AC – AC voltage indication DC – DC voltage indication BAT – battery charging indication |

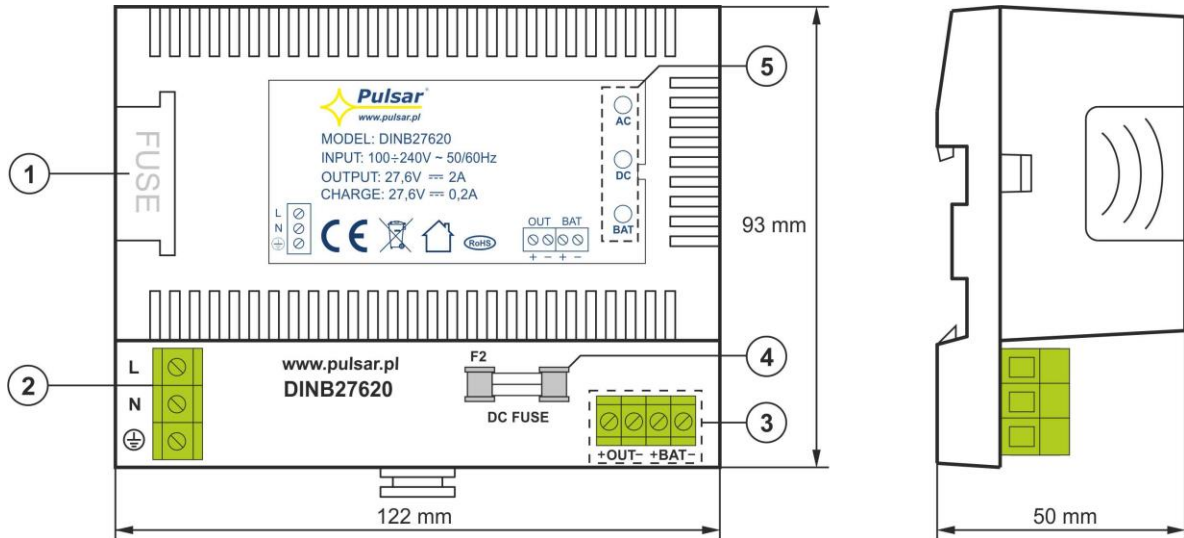
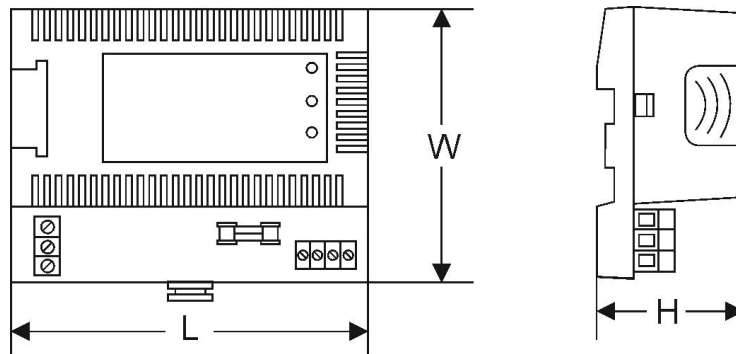


Fig. 2. The view of the PSU module.



1.4 Technical parameters:

- Electrical parameters (Table 2)
- Mechanical parameters (Table 3)
- Safety of use (Table 4)
- Operation parameters (Table 5)

Electrical parameters (Table 2)

| | |
|------------------------------|---|
| Mains supply | 90÷264V AC |
| Current consumption | 0,6A @230VAC max. |
| PSU power | 60W max. |
| Efficiency | 88% |
| Output voltage | 23V÷ 27,6V DC – buffer operation 20V÷ 27,6V DC – battery operation |
| Output current | 2A + 0,2A battery charging |
| Ripple voltage | 100mV p-p max. |
| Battery charging current | 0,2A max. |
| Short-circuit protection SCP | F2 – melting fuse (failure requires fuse replacement) |

| | |
|---------------------------------------|--|
| Overload protection OLP | 150-200% of the PSU power, automatic return |
| Surge protection | varistor |
| Deep discharge battery protection UVP | $U < 20V$ (+/- 0,5V) – disconnection of the battery terminal |
| Optical indication of operation | YES – LEDs |
| F1 fuse | T 3,15A / 250V |
| F2 fuse | F 2A / 250V |

Mechanical parameters (Table 3)

| | |
|------------------|------------------------------|
| Dimensions | L=122, W=93, H=50 [+/- 2mm] |
| Mounting | TH35 DIN rail |
| Net/gross weight | 0,37 kg/ 0,45 kg |
| Enclosure | ABS, RAL9003, white |
| Connectors | $\Phi 0,51-2,05$ (AWG 24-12) |

Safety of use (Table 4)

| | |
|--|---|
| Protection class PN-EN 60950-1:2007 | I (first) |
| Protection grade PN-EN 60529: 2002 (U) | IP20 |
| Insulation electrical strength: - between input (network) circuit and the output circuits of the PSU (I/P-O/P) - between input circuit and PE protection circuit (I/P-FG) - between output circuit and PE protection circuit (O/P-FG) | 3000 V/AC min. 1500 V/AC min. 500 V/AC min. |
| Insulation resistance: - between input circuit and output circuit | 100 M Ω , 500V/DC |

Operation parameters (Table 5)

| | |
|--|----------------------------------|
| Environmental class | II |
| Operating temperature | -10°C...+40°C |
| Storing temperature | -25°C...+60°C |
| Relative humidity | 20%...90%, no condensation |
| Sinusoidal vibrations during operation | unacceptable |
| Surges during operation | unacceptable |
| Direct insolation | unacceptable |
| Vibrations and surges during transport | compliant with the PN-83/T-42106 |

2. Installation.


2.1 Requirements.

The power supply unit should be mounted by a qualified installer, holding relevant permits and licenses (applicable and required for a given country) for 230V/AC and low-voltage installations. The unit should be mounted in confined spaces, in accordance with the 2nd environmental class, with normal relative humidity (RH=90% maximum, no condensation) and temperature range from -10°C up to +40°C. The power supply should operate in a vertical position in order to provide free and convective air flow through ventilating holes of the enclosure.


The power supply load balance should be done before installation. During normal operation, the total current of the receivers should not exceed I=2A. The maximum battery charging current is 0,2A. The total current of the receivers + battery is max. 2,2A.

The power supply is designed for a continuous operation and is not equipped with a power-switch. Therefore, an appropriate overload protection in the power supply circuit should be provided. Moreover, the user should be informed how to disconnect the power supply unit from the mains supply (usually by assigning an appropriate fuse in the fuse box). The electrical system shall be made in accordance with applicable standards and The unit should be mounted in a metallic enclosure (telecommunication cabinet) fitted with TH35 DIN rail (35 mm width); in order to meet the LVD and EMC requirements, the rules concerning power supply, building-in and shielding should be followed accordingly.

2.2 Installation procedure.

1. **Before installation, make sure that the voltage in the 230V power-supply circuit is cut off.**
2. Mount the power supply module on a DIN rail.
3. Connect the power cables to the L-N terminals of the PSU. Connect the ground wire to the terminal marked with the PE symbol. Use a three-core cable (with a yellow and green  protection wire) to make the connection.



The shock protection circuit shall be done with a particular care: the yellow and green wire coat of the power cable should be connected to the terminal marked with the  symbol. Operation of the PSU without the properly made and fully operational shock protection circuit is UNACCEPTABLE! It can cause damage to the equipment or an electric shock

4. Connect the receiver cables to the + OUT connector - terminal block on the PSU module.
5. Switch on the 230V AC supply.
6. Connect the battery in accordance with the markings: +BAT red to 'plus', -BAT black to 'minus'.
7. Check the optical indication of the PSU operation: AC, DC, BAT LEDs should be ON.
8. Close the enclosure, cabinet, etc. after installing and checking the operation of the power supply.

3. Power supply operation indication.

3.1 Optical indication.

The PSU is fitted with three LEDs indicating power supply status: AC, DC and BAT.

- AC – red LED: During normal operation (AC power), the LED is permanently illuminated. No AC power is indicated by turning off the AC LED.
- DC – green LED: indicates DC power at the output of the power supply. During normal operation, the LED is permanently illuminated. In the case of short-circuit or output overload, the LED is off.
- BAT – yellow LED: indicates battery charging process. During normal operation, the LED is permanently illuminated. If the battery is not charging, the LED is off.

4. Service and operation.

4.1 Overload or short circuit of the power supply output (SCP activation).

In the case of output overload, the output voltage is automatically disconnected. The voltage is automatically restored once overload is removed.

In the case of short circuit of the OUT output, the F2 fuse in the output circuit becomes permanently damaged; fuse failure is indicated by switching off the DC LED. Restoration of the voltage at the output requires fuse replacement.

The power supply BAT output is protected by the PTC polymer fuse. In the case of short circuit of the BAT output or reverse battery connection, the PTC polymer fuse in the battery circuit becomes activated.

4.2 Deep discharge battery protection UVP.

The PSU is fitted with discharged battery disconnection system. If the voltage at the battery terminals drops below $20V \pm 0.5V$ during battery operation, the battery will be disconnected.

4.3 Maintenance.

All maintenance procedures can be performed after disconnecting the power supply from the power network. The PSU does not require any specific maintenance; however, its interior should be cleaned with compressed air if used in dusty conditions.



WEEE MARK

According to the EU WEE Directive – It is required not to dispose of electric or electronic waste as unsorted municipal waste and to collect such WEEE separately.

The power supply unit is adapted for a sealed lead-acid battery (SLA). After the operation period it must not be disposed of but recycled according to the applicable law.

Pulsar

Siedlec 150, 32-744 Łapczyca, Poland
Tel. (+48) 14-610-19-40, Fax. (+48) 14-610-19-50
e-mail: biuro@pulsar.pl, sales@pulsar.pl
http:// www.pulsar.pl, www.zasilacze.pl