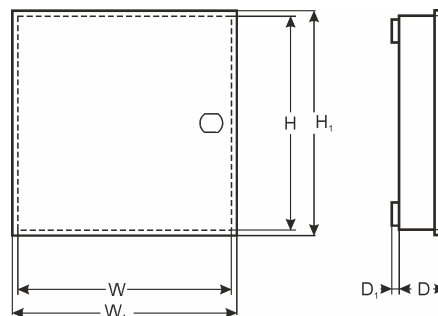


CODE: **AWO003PU** v1.3/II
 NAME: **7/20/PAR/IT**



DESTINATION

PARADOX CENTROL PANELS:

- 1) MG5050
- 2) (728 ULT, E55, E65, MG5000) + PS817
- 3) SP4000, 5500, 6000

MODULES:

- 1)(2 x ZX8, PGM4) + PS817
- 2)(ACM12, APR3- ADM2, PS17) + PS817
- 3)APR3- HUB2 + ZX8(PGM4) + PS817

TECHNICAL DATA

External dimensions of the enclosure:	W=250, H=250, D+D1=80+8 [+/-2 mm]
External dimensions of the front panel:	W1=255, H1=255 [+/-2 mm]
Weight net/gross:	1,32 / 1,50 [kg]
Battery space:	7Ah/12V Sealed Lead Acid (SLA)
Transformer:	without transformer- can be mounted in the casing: TRP20,TRP40,TRZ20,TRZ40,EI20,EI40
Operating environment:	class II, -10°C+ 40°C
Material description:	sheet steel DC01, thickness: 0,7mm, protection anticorrosion, color: RAL 9003
Destination:	indoor
Tamper protection:	1 x microswitch: opening, 0,5A@50V/DC max. NC- contacts
Closing:	screwed x 4
Notes:	optional: lockable, distance from wall (mounting souurface) - 8mm, easy door removal, customized enclosure: minimum order quantity 100pcs.
Declaration, warranty:	RoHS, 2 year from the production date