

CODE: **DCDC15H**
TYPE: **12V/1,5A/62MM DC/DC converter**

EN/VI

Features:

- Power output 1,5 A/12 V DC*
- DC power supply range 18÷40 V DC
- high efficiency 86 %
- IP 67 enclosure
- protections:
 - against short circuit protection
 - overload protection OLP
 - against reverse input voltage polarity
- warranty – 2 year from the production date



DESCRIPTION

The DCDC converter is used for powering devices that require stabilized voltage of **12 V DC**. The maximum current load is **1,5 A*** (**Pmax= 18 W**). This module does not have galvanic insulation between the input and output (IN-AUX), and operates on a common ground potential . The unit is protected against short circuit, overload and against reverse input voltage polarity .

SPECIFICATIONS.

Supply voltage	18 ÷ 40 V DC
Supply power	18 W max.
Efficiency	86 %
Output voltage	12 V DC
Current consumption by PSU systems	5 mA max.
Output current $t_{AMB}<30\text{ }^{\circ}\text{C}$	1,5 A - refer to graph 1.
Output current $t_{AMB}=40\text{ }^{\circ}\text{C}$	1 A - refer to graph 1.
Ripple voltage	100 mV p-p max.
Protection against short circuits (SCP) and overloads(OLP)	200 % ÷ 250 % of module power – output power limit, automatic return after elimination of short circuit
IP protection class	IP67
Operation conditions	temperature $-10\text{ }^{\circ}\text{C}\div 40\text{ }^{\circ}\text{C}$ relative humidity 20 %...90 %
Dimensions (LxWxH)	58 x 58 x 28 [mm]
Net/gross weight	0,16 kg / 0,19 kg
Protection class PN-EN 60950-1:2007	II (second)
Length of DC input cable	0,3 m
Length of DC output cable	0,5 m + plug DC5,5/2,1 female
Storage temperature	$-20\text{ }^{\circ}\text{C}\dots +60\text{ }^{\circ}\text{C}$
Declarations, warranty	CE, 2 year from the production date

* In order to extend the life of the converter, the load current of 1 A is recommended.

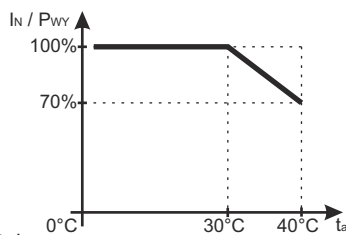


Chart 1.
Relation between output current and ambient temperature (instantaneous load).

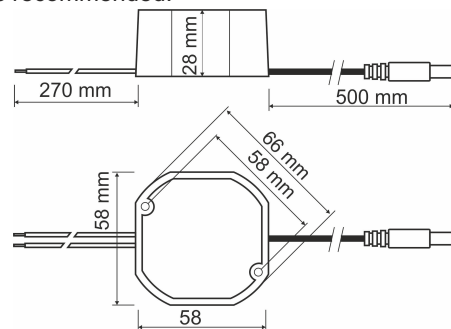
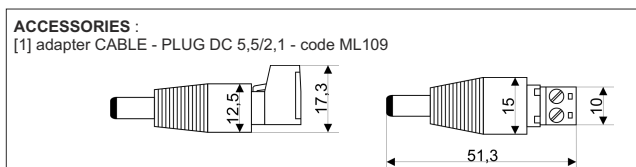


Fig.1.
Mechanical view and dimensions of the converter.

ACCESSORIES



For the converters are available accessories - cable adapter.
For details –visit www.pulsar.pl.

* Refer to chart 1