

PSC series power supply

Power supply 13,8 V DC, IP67



CODE: **PSC13008** v1.0/XI
 TYPE: **PSC 13,8V/0,8A/55MM Power supply**

EN

Features of power supply:

- power output 0,8 A/13,8 V DC
- universal input voltage range ~100-240 V
- high efficiency 84%
- standby power <0,3 W
- IP67 case
- protections:
 - SCP short-circuit protection
 - overvoltage protection (AC input)
 - overload (OLP)
- warranty – 2 years from production date



DESCRIPTION

Stabilized DC power supply is intended for supply CCTV cameras that require stabilised voltage of **13,8 V DC**. Unit is protected against short-circuit and overload.

TECHNICAL DATA

Supply voltage	~100-240 V; 50/60 Hz
Current consumption	0,24 A
Supply power	11 W max.
Efficiency	84%
Output voltage	13,8 V DC
Output current	0,8 A
Ripple voltage	100 mV p-p max.
Short-circuit protection SCP	electronic, automatic recovery
Overload protection OLP	105-150% of power supply, automatic recovery
Overvoltage protection	varistor (AC input)
IP protection class	IP67
Operation conditions	temperature 0°C+40°C relative humidity 20%...90%
Dimensions (LxWxH)	50 x 48 x 25 [mm]
Net/gross weight	0,1 / 0,12 [kg]
Protection class EN 62368-1	II (second)
Length of DC cable	0,3 m
Length of AC cable	0,3 m
Storage temperature	-20°C...+60°C

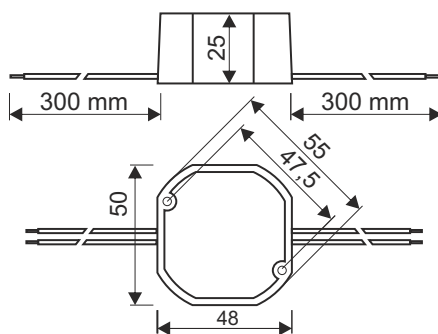
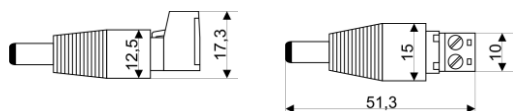


Fig.1 Dimension of power supply.

ACCESSORIES

ACCESSORIES:
 [1] adapter CABLE - PLUG DC 5,5/2,1 - code ML109



For power supplies are available accessories - fuse blocks and cable adapter. For details - visit www.pulsar.pl.