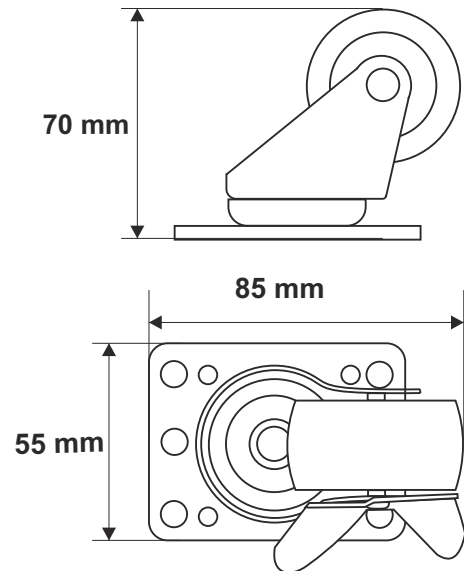
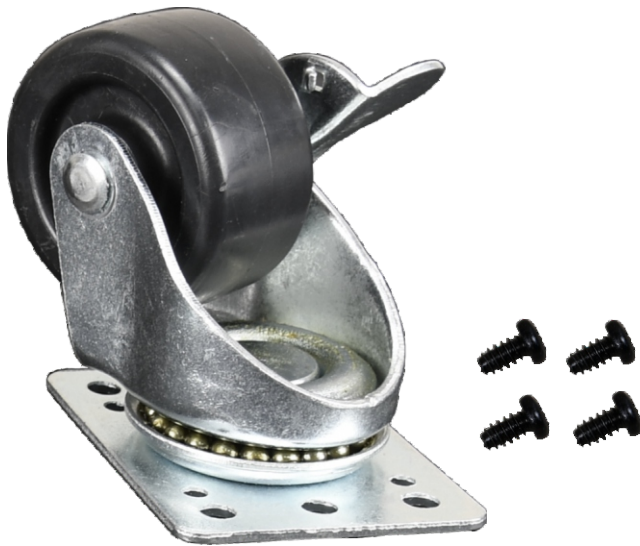


CODE: **RAKB** v1.1/III
 NAME: **Caster 2" with brake for floor standing cabinet**

EN



DESTINATION

The caster for floor standing RACK cabinets. The set of 4 casters enables easy moving of the cabinet and locking it in the selected position.

TECHNICAL DATA

Dimensions: W=55, H=70, D=85 [mm, +/-2], Ø=2"

Net/gross weight: 0,13 / 0,14 [kg]

Material:
 - 2mm cold-rolled steel (SPCC)
 - caster 2" - plastic

Load: 150 kg

Destination: inside

Warranty: 1 year from production date

Notes:
 - bolted to the bottom panel of the cabinet
 - 4 screws included